

PMC-53A Quick Start Guide

Version 1.2

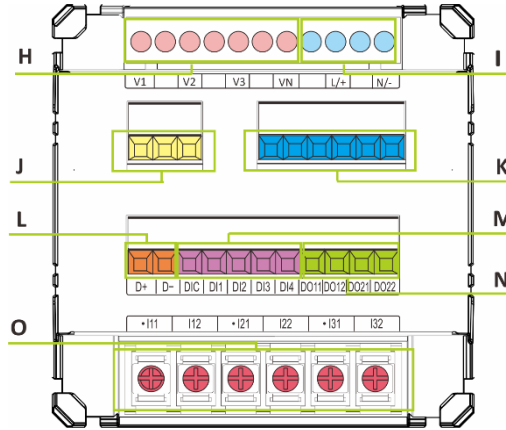
Package Contents

- PMC-53A with all mounting clips and plug-in connectors installed
- Factory Test Report
- CD with PMC-53A User Manual
- Quick Start Guide (this document)

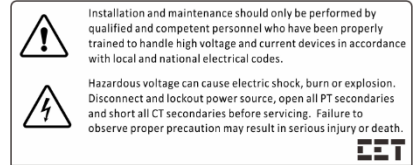
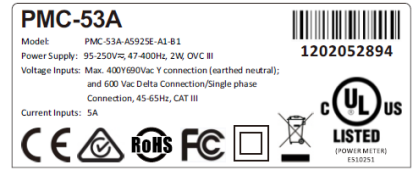
Meter Overview



Front View



Rear View - 4DI, 2DO, RS-485, 2xExpansion Modules



Serial Number & Warning Labels

Letter	Description	Letter	Description	Letter	Description
A	kWh/kvarh LED Pulse Output	F	Measurements	K	Expansion Module B (I/O Options)
B	Enclosure	G	Buttons	L	RS-485 Terminals
C	Front Panel	H	Voltage Input Terminals	M	Optional DI Terminals
D	Communication Indicator	I	Power Supply Terminals	N	Optional DO Terminals
E	Units	J	Expansion Module A (2 nd RS-485 or I4)	O	Current Input Terminals

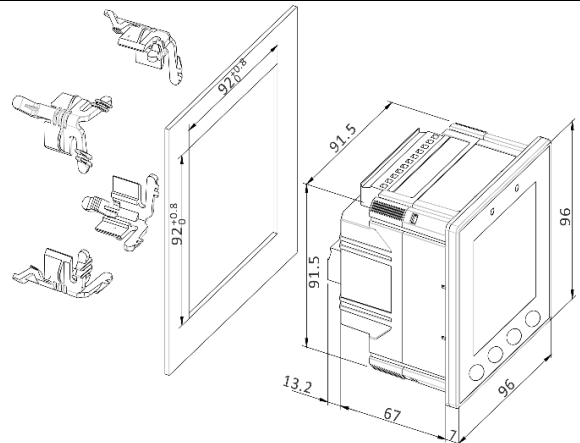
Using the Front Panel Buttons

The PMC-53A's Front Panel has been designed with a menu-driven interface that is extremely user friendly such that all one has to do is to simply follow the menu at the bottom of the screen. The button definitions for F1 to F4 under **Display Mode** and **Setup Mode** are explained in the following table. **The default password is 0000 (four zeros).**

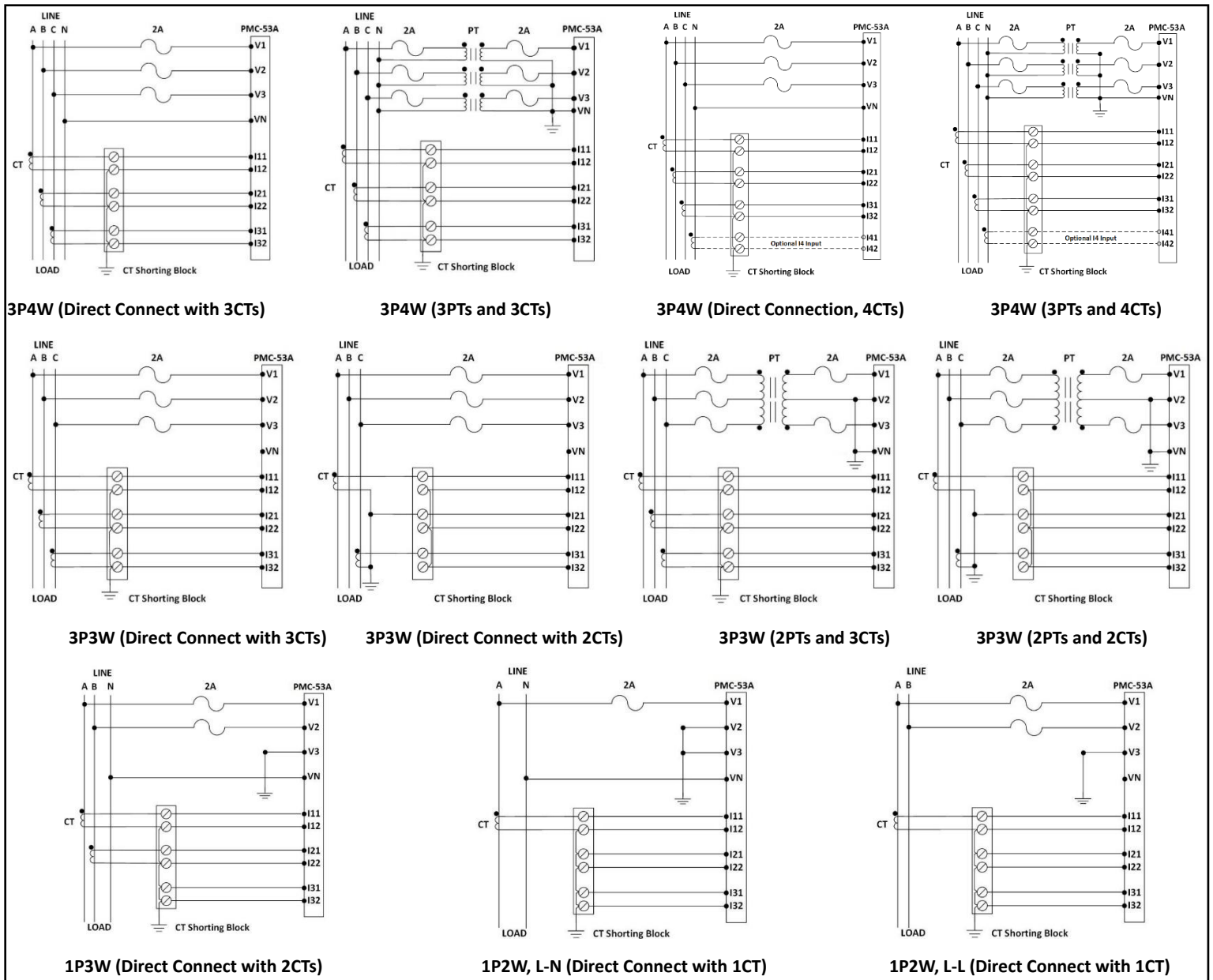
Button	Display Mode		Setup Mode				
	Main Menu	Sub Menus	Password Page	Enter Password	Browse/Setup Menu (Until a parameter is selected)	Enumerated Parameter	Numeric Parameter
F1	← (Menu Left)	Esc (Exit)	Esc (Exit)	Cancel (Exit)	Esc (Exit)	Cancel (Exit)	Cancel (Exit)
F2	Select Option	↑ (Page Up) or Select Option	Browse (View Only)	← (Shift Left)	↑ (Cursor Up)	← (Previous)	← (Shift Left)
F3	Select Option	↓ (Page Down) or Select Option	Null (Not Used)	↑ (Increment)	↓ (Cursor Down)	↑ (Next)	↑ (Increment)
F4	→ (Menu Right)	→ (Menu Right) or Select Option or Null (Not Used)	Enter (Confirm)	OK (Confirm)	Enter (Select Parameter)	OK (Confirm)	OK (Confirm)

Mounting the Meter

- Remove the installation clips from the meter.
- Fit the meter through a 92mmx92mm cutout as shown in the right figure.
- Re-install the installation clips and push the clips tightly against the panel to secure the meter.



Wiring Diagrams



Basic Setup Parameters

Menu	Parameters	Description	Options/Range	Default
Password Setup	/	Password	0000 to 9999	0000
Basic Setup	Wiring Mode	The Wiring Connection of the meter	DEMO/1P2W L-N/1P2W L-L/ 1P3W L-L-N/3P3W/3P4W	3P4W
	PT Primary	Primary PT Ratio	1 to 1,000,000 (V)	100V
	PT Secondary	Secondary PT Ratio	1 to 690 (V)	100V
	CT Primary	Primary CT Ratio	1 to 30,000 (A)	5A
	CT Secondary	Secondary CT Ratio	1 to 5 (A)	5A
	PF Convention	Set PF Convention	IEC/IEEE/-IEEE	IEC
	kVA Calc.	Set kVA Calculation Method	Vector/Scalar	Vector
	I1 Polarity	Set I1 CT Polarity	Normal/Reversed	Normal
	I2 Polarity	Set I2 CT Polarity	Normal/Reversed	Normal
	I3 Polarity	Set I3 CT Polarity	Normal/Reversed	Normal
EN Pulse CNST	Set Pulse Constant	1000/3200 imp/kxh	1000	
LED EN Pulse	Enable kWh/kvarh Energy Pulsing	Disabled/kWh/kvarh	kWh	
Communication Setup (COM1 / COM2#)	Protocol	Set Protocol	Modbus RTU/BACnet*/N2*/DNP	Modbus
	Unit ID	Set the Modbus Address	1 to 247 (Modbus and N2) 1 to 127 (BACnet) 0 to 65519 (DNP)	COM1=100 COM2=101
	Baud Rate	Set Data rate in bits per second	1200/2400/4800/9600/19200/38400	9600
	Data Format	Set Data Format	8N2/8O1/8E1/8N1/8O2/8E2	8E1

COM2 only supports Modbus RTU protocol.